

# FUTUREJACK

THE SMART PEDESTAL SYSTEM

FOR COMPOSITE & TIMBER DECKS

# FUTUREJACK

## THE SMART PEDESTAL SYSTEM

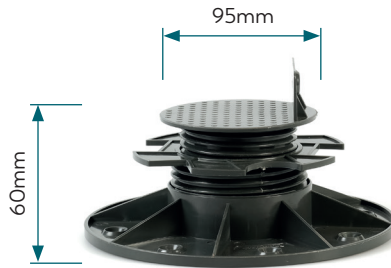
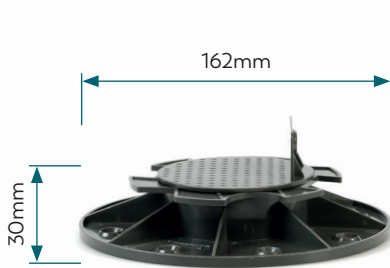
## FOR COMPOSITE & TIMBER DECKS



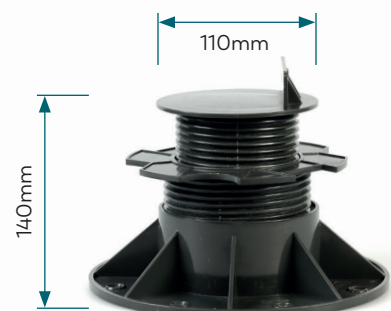
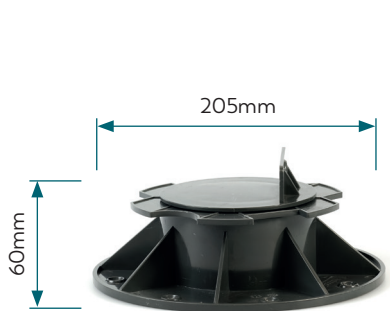
- **Manufactured using UV stable ABS plastic**
- **Suitable for any decking application, supporting composite or timber decks**
- **Sits comfortably over concrete slabs or sitting on a concrete paver over a muddy backyard**
- **Perfect for floating decks over waterproof membranes**
- **Range of sizes from 30mm to 220mm, allowing you to get close to any structure**
- **Adjustable insitu**
- **Compatible with Proframe Aluminium deck framing**
- **Compatible with Futurewood composite decking boards**
- **15 year warranty**

### Technical specifications:

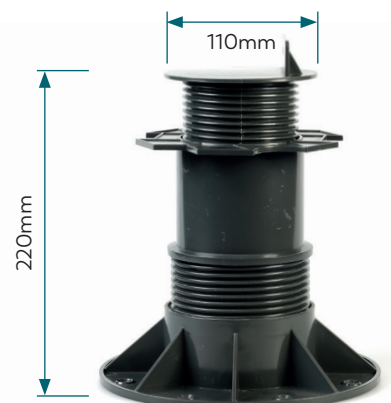
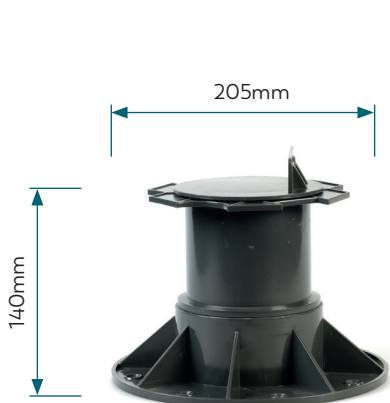
Plastic pedestal with ABS material, anti-UV, anti-ageing, weather resistance etc, support for outdoor terrace with any kind of material: wpc decking, timber decking, stone deck, composite material, metal, any kinds of keel metal, fibreglass, any stable substrate etc.



Adjustable height range: 30-60mm  
Stand foot diameter: 162mm  
Support plate diameter: 80mm  
Loading: 700kg  
Weight: 130g  
Colour: Dark Grey



Adjustable height range: 60-140mm  
Stand foot diameter: 205mm  
Support plate diameter: 110mm  
Loading: 1400kg  
Weight: 390g  
Colour: Dark Grey



Adjustable height range: 140-220mm  
Stand foot diameter: 205mm  
Support plate diameter: 110mm  
Loading: 1400kg  
Weight: 480g  
Colour: Dark Grey